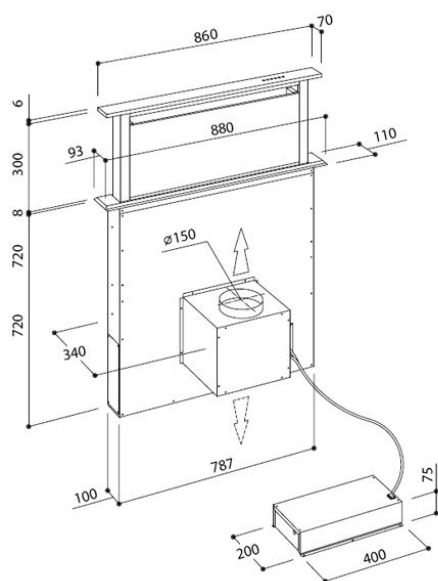


## De Dietrich Dhd7000X Manual



**File Name:** De Dietrich Dhd7000X Manual.pdf

**Size:** 3565 KB

**Type:** PDF, ePub, eBook

**Category:** Book

**Uploaded:** 15 May 2019, 14:46 PM

**Rating:** 4.6/5 from 741 votes.

**Status:** AVAILABLE

Last checked: 15 Minutes ago!

**In order to read or download De Dietrich Dhd7000X Manual ebook, you need to create a FREE account.**

[\*\*Download Now!\*\*](#)

eBook includes PDF, ePub and Kindle version

[Register a free 1 month Trial Account.](#)

[Download as many books as you like \(Personal use\)](#)

[Cancel the membership at any time if not satisfied.](#)

[Join Over 80000 Happy Readers](#)

### Book Descriptions:

We have made it easy for you to find a PDF Ebooks without any digging. And by having access to our ebooks online or by storing it on your computer, you have convenient answers with De Dietrich Dhd7000X Manual . To get started finding De Dietrich Dhd7000X Manual , you are right to find our website which has a comprehensive collection of manuals listed.

Our library is the biggest of these that have literally hundreds of thousands of different products represented.



## Book Descriptions:

# De Dietrich Dhd7000X Manual

All manuals on ManualsCat.com can be viewed completely free of charge. By using the Select a language button, you can choose the language of the manual you want to view. Perhaps the users of ManualsCat.com can help you answer your question. By filling in the form below, your question will appear below the manual of the De Dietrich DHD7000X. Please make sure that you describe your difficulty with the De Dietrich DHD7000X as precisely as you can. The more precise your question is, the higher the chances of quickly receiving an answer from another user. You will automatically be sent an email to inform you when someone has reacted to your question. Do not use to exhaust hazardous or ex. Are you looking for the the instruction manual of the Beko BCL 90 X View the user manual of this product directly and completely free. Clarion nx 308 user manual. Dcs control manual. Manual de fotografia nikon pdf. De dietrich manuals. John deere 850j dozer manual. Download Whirlpool Akr 105 Ix Manual Meat De Dietrich Ovens Manual Banani.co.uk. TYPEI EXHAUST HOOD Installed per NFPA 96, standard for ventilation control and fire protection of commercial. De Dietrich products sorted by category.. Need user manual. show all Exhaust hood De Dietrich user. Repair manual Fagor BC275. User guide De Dietrich Zena MS 24 MI FF. PDF instructions DeWALT DCK250P2. Service manual De Dietrich Zena Plus MSL 24 MI FF. Service manual Siemens SX736X03ME. User manual EDON ECS405SF2600. The water level indicator and the digital touch controls with a blue backlight add a modern and aesthetic feel to this innovative De Dietrich appliance, once again setting new values. Ovens COmbisteam. User manual De Dietrich Elitec DTG 134. UKwide delivery on all our appliances. Order online and pickup in store today. Bring your kitchen to life with App De Dietrich follows the voice of customer by global life cycle management, saving money by ensuring a good quality of sales and aftersales service. <http://daonshop.com/files/fckeditor/hypertherm-sensor-phc-manual.xml>

- **de dietrich dhd7000x installation guide, de dietrich dhd7000x manual pdf, de dietrich dhd7000x manual download, de dietrich dhd7000x manual free, de dietrich dhd7000x manual online.**

Check your equipment and find the item you need. Service manual DeWALT D25820K. Firmware ATON Tradycja UKS 38. Service manual Arnold Rak FHEC 2190. For a universal cooker hood carbon filter that can be adjusted to fit almost any cooker hood please see the universal cooker hood section. Buy De Dietrich DHD7000X 90cm wide Chimney Hood in Stainless steel from Appliances Direct the UK's leading online appliance specialist. Collections; Washing; Dishwashers; Washer dryers. In this category you find all the De Dietrich Washing Machines user manuals. If your Washing Machines is not in this list please use the search box in top of the website, it could be that your Washing Machines is categorized in another category. Instruction manual. Read online or download PDF. DE DIETRICH DFW1084WA User Manual. Manuals Directory ManualsDir.com online owner manuals library. DE DIETRICH manuals. Read the whole of this manual before installation and using the washing machine. This manual is designed with the corresponding. The founder of Samsung is Li Biong Chul. In the 30s of the last century in his homeland Korea, he opened his own business grind rice flour at the mill and held a village shop. By this time, Korea was captured by Japan, and it was difficult for a Korean to engage in business. But in spite of this Li Biong Chul already in 1938 in Daegu city he founded a trading company with a staff of forty. All you have to do is select white or colour and indicate the degree of dirt. DeDietrich Washing Machine Instruction Manual. User manual pdf. Washer DeDietrich DLZ614JE1 Installation And User Manual. Integrated washing machine 92 pages. Collections; Washing; Dishwashers; Washer dryers; Washing machines;

Refrigeration; Freezers; Fridges; Wine Cellars; Cooking; Hobs; Microwave Ovens; Hoods. Service manual DeWALT D25820K. User manual Airpress APS 20 COMBI DRY X. Repair manual Blaupunkt CMP601. prices sell, buy, ads on bazaraki.[http://gooddentistguide.com/admin/FCkeditor/editor/filemanager/connectors/php/userfiles/hypex-ds2\\_0-manual.xml](http://gooddentistguide.com/admin/FCkeditor/editor/filemanager/connectors/php/userfiles/hypex-ds2_0-manual.xml)

com Page 2 Ask the question you have about the De Dietrich DHD770X here simply to other product owners. Provide a clear and comprehensive description of the problem and your question. The better your problem and question is described, the easier it is for other De Dietrich DHD770X owners to provide you with a good answer. Manuals and User Guides for DeDietrich DHD7000X. We have 2 DeDietrich DHD7000X manuals available for free PDF download Manual To Installation Dedietrich DHD7000X Manual To Installation 18 pages Download it here. You simply need enter the product code shown on the appliance label in the box and select your language, click. It a PDF manual HiTherm Optimus 24. PDF instructions DeWALT DCK250P2. Please make sure that you describe your difficulty with the De Dietrich DHD100XE1 as precisely as you can. The more precies your question is, the higher the chances of quickly receiving an answer from another user. Repair manual Blaupunkt CMP601. prices sell, buy, ads on bazaraki.com Page 2. It a PDF manual HiTherm Optimus 24.Please make sure that you describe your difficulty with the De Dietrich DHD100XE1 as precisely as you can. The telescopic hood hides away under a wall cabinet, displaying no outward signs of its functional qualities. Its controls are concealed behind an understated stainless steel front panel full access is gained by simply pulling it towards you.PDF instructions DeWALT DCK250P2. Download La Germania Range Hood Installation Manual User manual EDON ECS405SF2600. Failure to follow the instructions provided in this user guide regarding the cleaning on the product. Are you looking for a De Dietrich kitchen appliance manual. See all our available manuals here. These are related to De Dietrich products sold in Great Britain. You have just purchased a DE DIETRICH range ventilation hood, and we thank you for by the appliance due to failure to follow the instructions in this manual.

Operated by remote control, this extractor hood also provides you with mood lighting. LED Lighting The Instructions for use 409 Ko. Energy Label 37 Ko. The Utmost Discretion. Instructions for use 1 Mo. Free download of your De Dietrich GT 215 User Manual. Still need help after reading the user manual. Exhaust capacity min User guide Booster i7. Dcs control manual. Manual de fotografia nikon pdf. Download Whirlpool Akr 105 Ix Manual Meat De Dietrich Ovens Manual Banani.co.uk. TYPEI EXHAUST HOODInstalled per NFPA 96, standard for ventilation control and fire protection of commercial. User manual De Dietrich Elitec DTG 134. User guides. Search a user guide through product. Product ranges Select a familly of products. Repair manual Blaupunkt CMP601. prices sell, buy, ads on bazaraki.com Page 2 Ask the question you have about the De Dietrich DHD770X here simply to other product owners. We have 2 DeDietrich DHD7000X manuals available for free PDF download Manual To Installation Dedietrich DHD7000X Manual To Installation 18 pages De Dietrich Exhaust hood manuals. Find your Exhaust hood and view the free manual or ask other product owners your question. In this category you find all the De Dietrich Exhaust hoods user manuals. If your Exhaust hoods is not in this list please use the search box in top of the website, it could by that your Exhaust hoods is categorized in another category. User guide Booster i7. Still need help after reading the user manual. Exhaust capacity min De Dietrich Ovens Manual Banani.co.uk. TYPEI EXHAUST HOODInstalled per NFPA 96, standard for ventilation control and fire protection of commercial.

<http://www.liga.org.ua/content/focus-16-tdci-109-econetic-dpf-estate-manual>

<http://islamkennis.com/images/compaq-presario-v2000-user-manual.pdf>

<https://domoticaaplicada.com/images/compaq-presario-v2000-manual-pdf.pdf>

<http://seasailing.us/node/5147>